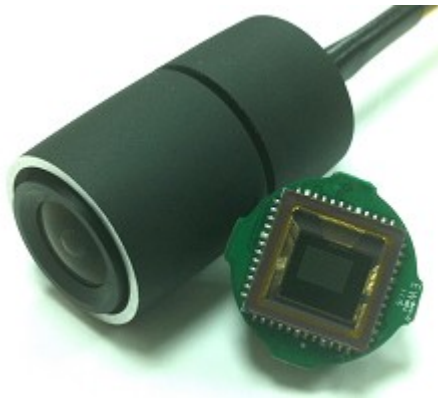


# EAGLE16090

Super low light CMOS sensor camera with  
miniature dimension

## Preliminary Specification



**Smart Design Technology Co., Ltd.**

20F-8, No.107, Sec 1, Jhongshan Rd. Sinjhuang Dist.,  
New Taipei City 24250, Taiwan

Phone: +886-2-8522-7628

Fax: +886-2-8522-7784

Contact: [sales@smartdesign.com.tw](mailto:sales@smartdesign.com.tw)

## Documentation History

<b>Revision</b>	<b>Description</b>	<b>Date</b>	<b>Remark</b>
V0.1	Eagle165 release	OCT. 2011	

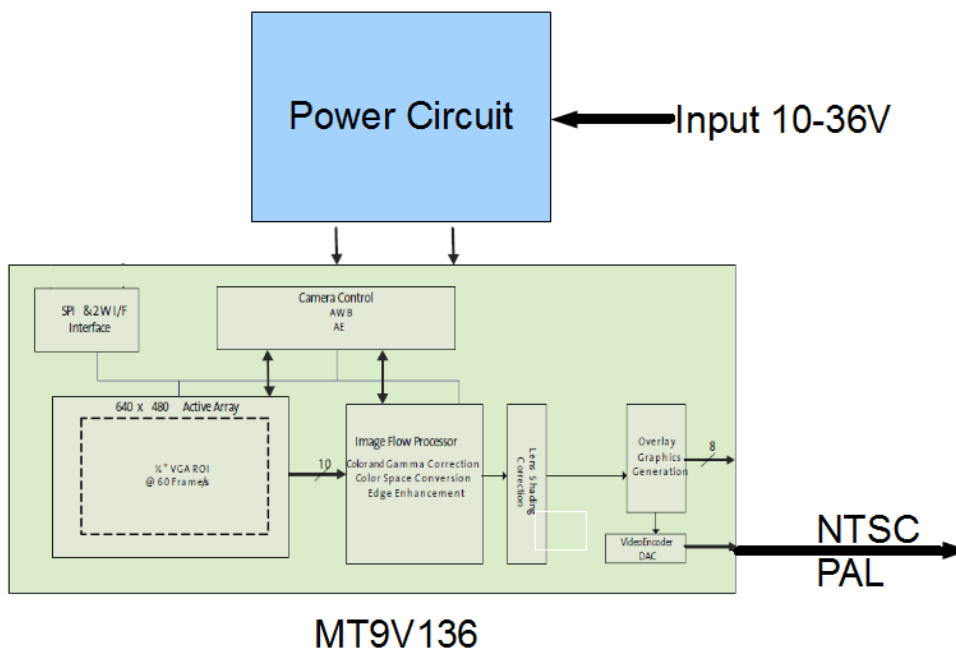
## Content

Features.....	4
Block diagram.....	4
Electrical Specifications.....	5
Mechanical Dimension:.....	6

## Features

- ✓ Aptina MT9v136 CMOS Sensor.
- ✓ Adaptive light gain design significantly improves sensitivity for superb low-light performance.
- ✓ On-Screen Display (OSD) Support.
- ✓ Extra pixels compensate for lens alignment tolerances.
- ✓ Embedded NTSC/PAL encoder
- ✓ System on a chip (SOC)—completely integrated camera system
- ✓ On-chip image flow processor performs processing such as color recovery/correction, sharpening, gamma, lens shading correction, on-the-fly defect correction, auto white balance, and auto exposure
- ✓ Programmable functions: gain, horizontal and vertical blanking, auto black level offset correction, frame size/rate, exposure, left-right and top-bottom image reversal, window size, and panning

## Block diagram



# Electrical Specifications

## 1. Electrical Characteristics

1.1 Chip set	Aptina MT9V136	
1.2 Image array	Optical format	¼ inch
	Active array	680(H) X 512(V)
	Imaging area	3.54(H) X 2.69(V) mm
1.3 Speed/output	Frame Rate	30 fps NTSC/25 fps PAL
	Master clock	27 MHz
	Data Format	NTSC/PAL
	Pixel size	5.6 um X 5.6um
1.4 Sensitivity	Pixel Dynamic range	82 dB
	Responsivity	11.5V/ lux-sec(550nm)
	Input voltage	10 -36V
1.5 Power	Current	40mA @ 12V
	Up to 4 layers	

## 2. Environmental Characteristics

2.1 Temperature	Operating range	- 30 °C to + 85 °C
	Storage	- 40 °C to + 125 °C
2.2 Mechanical dimensions	Length	36.0 mm
	Diameter	8.95 mm
2.3 Video Interface		CVBS
2.4 Cable	Connector	composite video connector bare wire for VCC and GND
	Length	50cm

# Optical Specification

N	Item	Description
1	Sensor size	1/3"
2	Wavelength	$\lambda=400\sim700$ nm (COLOR)
3	Focal length (EFL)	3.6 mm
4	F/No. (Infinite)	2.0
5	Back focal length (BFL)	5.45 mm
6	Flange back length	5.4 mm
7	Field of view (diagonal)	90°
8	Optical distortion (diagonal)	<-20%
9	Thread size	M12×P0.5
10	Element	4G
11	Dimension	Φ14×15.02 mm

